

Split Core Open Loop Current Sensor

Model: SCHACS-1500...10000-15

Open Loop Split Core Current Sensor for varied application.
Large aperture size to accommodate large size conductors for higher currents.

Product:



Applications

- Rectifier Power Supply.
- DC Power Supply.
- Monitoring current of the batteries.
- Very High Current Applications.

Electrical Characteristics:

Supply Voltage	± 15 VDC, $\pm 10\%$
Current Consumption	<20mA
Output Voltage @ I_{max}, $R=10K\Omega$ @ $25^\circ C$	± 4 VDC
Accuracy @ $T_a = 25^\circ C$	$\pm 1\%$
Linearity	< $\pm 1\%$ of I_{max}
(Excluding Electrical Offset) Output Offset Voltage @ 0A	< ± 10 mV
Frequency Bandwidth (-3dB)	25 kHz
Insulation resistance @500 VDC	>1000 M Ω
Load Resistance	>5 K Ω



PRAVDHAN

SENSORS & CONTROLS PRIVATE LIMITED



Compliant Product



Certified Product

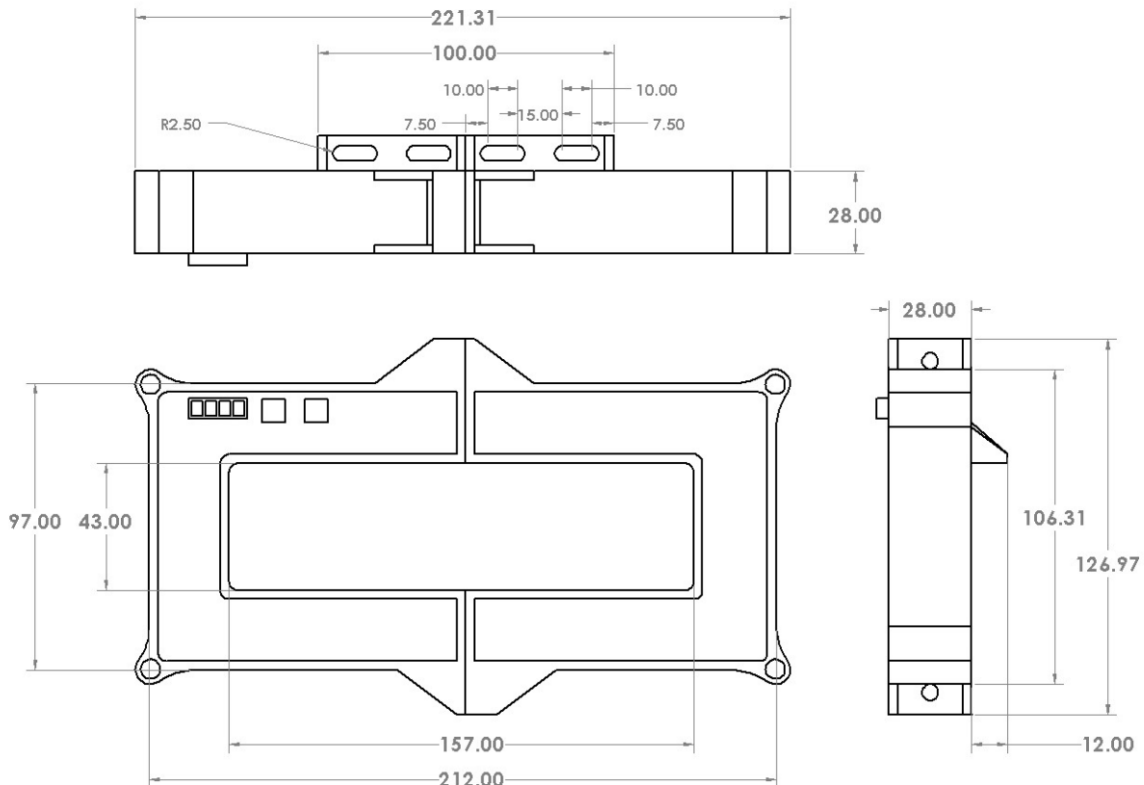
Electrical Characteristics:

Electrical Offset Voltage, @ 25 C	< 10 mV
Hysteresis Offset Voltage@ $I_p = 0$, after RMS current limit	< ± 10 mV
Temperature coefficient of VOE, SCHACS-15	< ± 2 mV/K
Temperature coefficient of VOE, SCHACS-15	< ± 1 mV/K
Temperature Coefficient of VOUT (% of reading)	< ± 0.1 %/K
Step response time to 90% of RMS current limit	< 5 uSec

Mechanical Characteristics:

Ambient Operating Temperature	-10°C to +80°C
Ambient Storage Temperature	-25°C to +80°C
Mass	1700gm

Dimensional Drawings:



Survey no. 344/3, Valia Falia, Near Vasant Falia, Abrama Valsad - 396001, Gujarat, India.

Call @ +91 70164 87551, +91 94268 12657.

E-mail: admin@potsndials.com, pravdhan2022@gmail.com, URL Link: www.potsndials.com