

Servo Multi turn Wire Wound Potentiometers, (ø31mm)

Model: 4510-S, 10-Turn

Product:

Features:



- > Different Shaft Diameters and Lengths Available
- > Servo Mount for precise measurement.
- > Both sides ball bearing for smooth movement.

Electrical Details:

Parameters:	Model: 4510-S
Power Rating	3Watt @ 40°C
Resistance Range	See Chart Below
Standard Tolerance	Std. ±5%, other on request
Linearity	Std. ±0.25%
Rotational Angle	3600° +10° / -0°
Insulation Resistance	500MΩ @ 500VDC
Max. Working Voltage	250 VDC
Voltage Proof	1500VAC for 1 min. @ sea level
End Resistance	2Ω or %Lin whichever is greater
Rotational noise (ENR)	100 Ohm

Resistance Value:

Model No.:	Resistance Value
4510-S	1K, 2K, 5K, 10K, 20K, 50K, 100K



Servo Multi turn Wire Wound Potentiometers, (ø31mm)

Model: 4510-S, 10-Turn

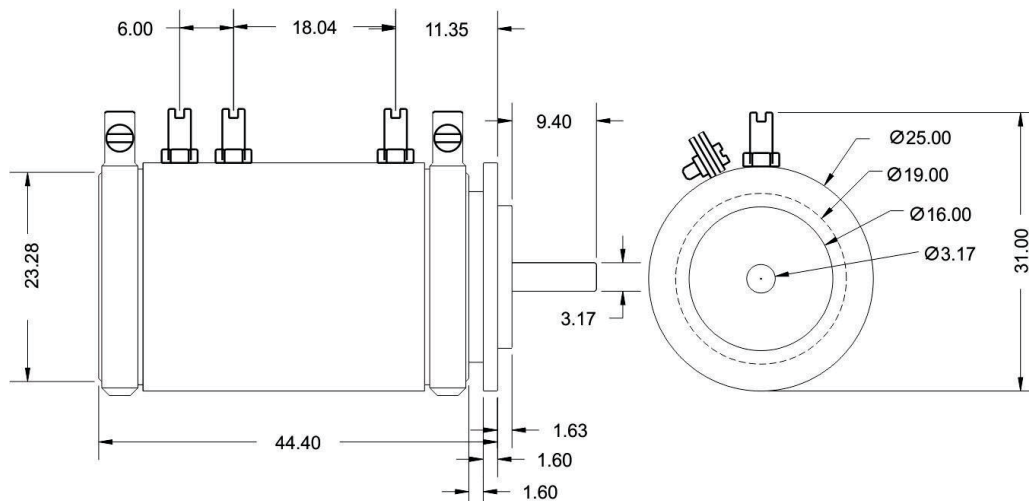
Resolution Chart:

Model: 4510-S		
Resistance Value	Resolution (%)	Ohm per Turn
50	N.A	N.A
100	0.064	0.0641
200	0.055	0.1102
250	0.044	0.1102
500	0.037	0.1848
1K	0.029	0.2926
2K	0.032	0.6406
5K	0.023	1.1396
10K	0.016	1.6416
20K	0.013	2.618
50K	0.011	5.698

Mechanical details:

Parameters:	Model 4510-S
Shaft material	Stainless Steel
Housing material	Radiation resistant material
Life cycle	1 million revolutions
Flange material	Aluminum
Connection type	Gold plated lugs
Weight	40 g

Dimensional Drawings:



All dimensions are in mm