



PRAVDHAN

SENSORS & CONTROLS PRIVATE LIMITED



Compliant Product



Certified Product

Multi turn Wire Wound Potentiometers, (ø22mm)

Model: 1803, 3-Turn

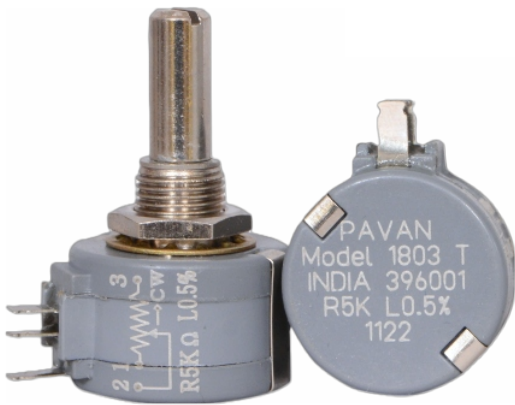
Model: 2205, 5-Turn

Model: 2010, 10-Turn

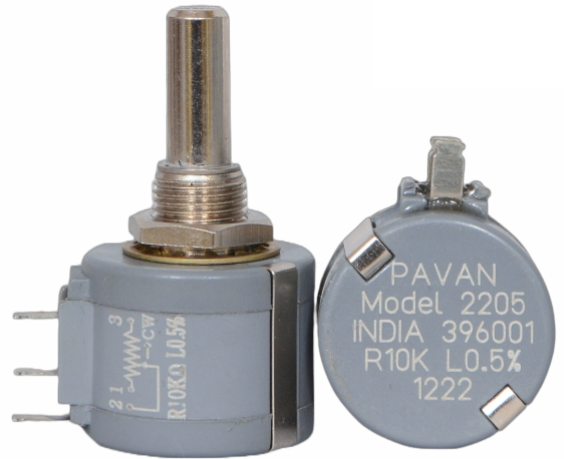
Model: 3010, 10-Turn

Product:

Model: 1803, 3-Turn



Model: 2205, 5-Turn



Model: 2010, 10-Turn



Model: 3010, 10-Turn



Multi turn Wire Wound Potentiometers, (ø22mm)

Model: 1803, 3-Turn
Model: 2205, 5-Turn

Model: 2010, 10-Turn
Model: 3010, 10-Turn

Features:

- Wire Wound
- Dual Gang with Concentric Shaft (Model: 3010)
- Different Shaft Diameters and Lengths Available
- Rear Shaft Extension (Model: 2010)
- Bush Mount Available & Servo Mount on request
- Slipping Clutch Available
- Center Tap (4 Pins - Model: 3010)
- Shaft Length Options: 10mm and 15mm

Technical Details:

Parameters:	Model: 1803	Model: 2205	Model: 2010	Model: 3010
Power Rating	1Watt @ 40°C	1.5Watt @ 40°C	2Watt @ 40°C	3Watt @ 40°C
Resistance Range	As per below chart			
Rotational Life (No Load)	1000000 shaft revolutions with total resistance shift of +/- 3% maximum			
Standard Tolerance	Std. ±5%, other on request	Std. ±5%, other on request	Std. ±5%, other on request	Std. ±5%, other on request
Linearity	Std. ±0.5%, ±0.25% other on request	Std. ±0.5%, ±0.25% other on request	Std. ±0.5%, ±0.25% other on request	Std. ±0.5%, ±0.25% other on request
Rotational Angle	1080° +10° / -0°	1800° +10° / -0°	3600° +10° / -0°	3600° +10° / -0°
Insulation Resistance	500MΩ @ 500VDC	500MΩ @ 500VDC	500MΩ @ 500VDC	500MΩ @ 500VDC
Max. Working Voltage	250VDC	250VDC	250VDC	250VDC
Voltage Proof	750VAC for 1 min. @ sea level	900VAC for 1 min. @ sea level	750VAC for 1 min. @ sea level	1500VAC for 1 min. @ sea level
End Resistance	2Ω or %Lin whichever is greater	2Ω or %Lin whichever is greater	2Ω or %Lin whichever is greater	2Ω or %Lin whichever is greater

Resistance Value:

Model No.:	Resistance Value
1803	1K, 5K, 10K, 15K, 30K
2205	50, 100, 250, 500, 1K, 2K5, 5K, 10K, 25K, 50K
2010	100, 200, 250, 500, 1K, 2K, 5K, 10K, 20K, 50K, 100K
3010	100, 200, 250, 500, 1K, 2K, 5K, 10K, 20K, 50K, 100K



PRAVDHAN

SENSORS & CONTROLS PRIVATE LIMITED



Compliant Product



Certified Product

Multi turn Wire Wound Potentiometers, ($\phi 22\text{mm}$)

Model: 1803, 3-Turn

Model: 2010, 10-Turn

Model: 2205, 5-Turn

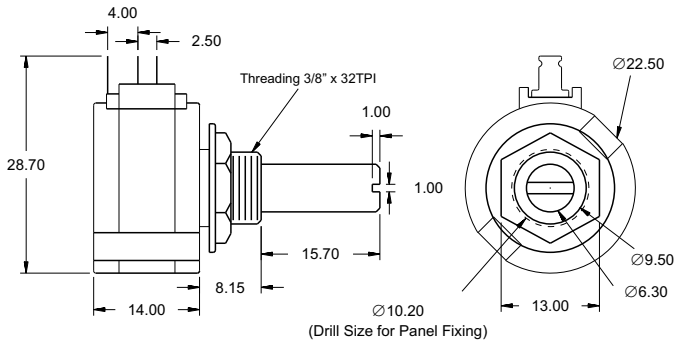
Model: 3010, 10-Turn

Resolution Chart:

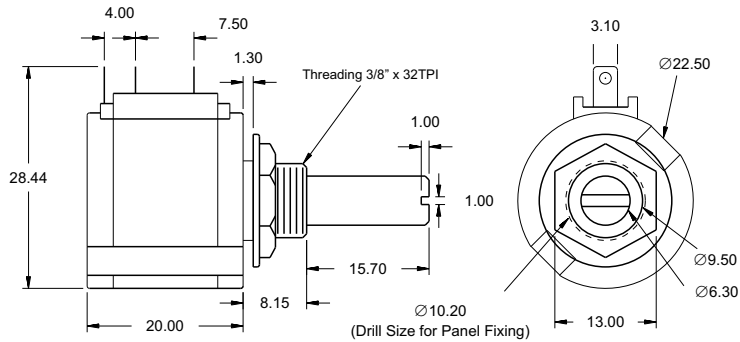
Resistance Value	Model: 2010		Model: 3010		Model: 2205		Model: 1803	
	Resolution (%)	Ohm per Turn	Resolution (%)	Ohm per Turn	Resolution (%)	Ohm per Turn	Resolution (%)	Ohm per Turn
50	N.A	N.A	N.A	N.A	0.128	0.0642	N.A	N.A
100	0.052	0.0524	0.064	0.0641	0.111	0.1109	N.A	N.A
200	0.041	0.0815	0.055	0.1102	N.A	N.A	N.A	N.A
250	0.039	0.0970	0.044	0.1102	0.074	0.1848	N.A	N.A
500	0.029	0.1455	0.037	0.1848	0.059	0.2926	N.A	N.A
1K	0.021	0.2119	0.029	0.2926	0.064	0.6406	0.084	0.8378
2K	0.029	0.5821	0.032	0.6406	N.A	N.A	N.A	N.A
5K	0.016	0.8239	0.023	1.1396	0.033	1.6478	0.051	2.5718
10K	0.012	1.1834	0.016	1.6416	0.026	2.6180	0.055	5.5440
20K	0.010	1.9260	0.013	2.618	N.A	N.A	N.A	N.A
50K	N.A	N.A	0.011	5.698	N.A	N.A	N.A	N.A

Dimensional Drawings:

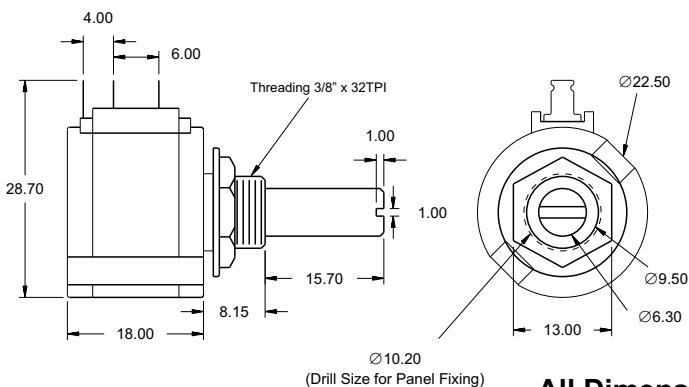
Model: 1803, 3-Turn



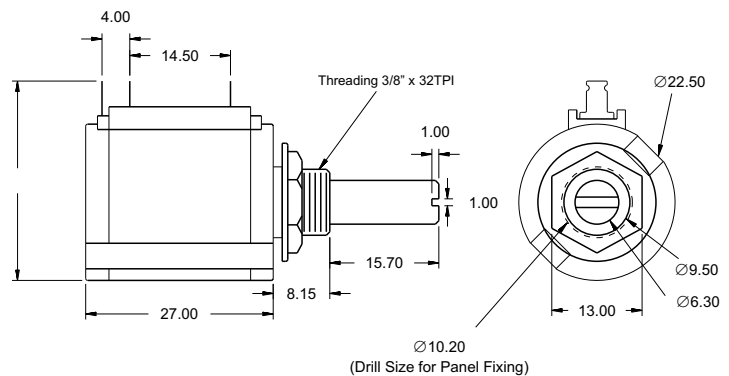
Model: 2010, 10-Turn



Model: 2205, 5-Turn



Model: 3010, 10-Turn



All Dimensions are in mm

Survey No. 344/3, Valia Falia, Near Vasant Falia, Abrama, Valsad - 396002, Gujarat, India.

Call @ +91 70164 87551, +91 94268 12657.

E-mail: admin@potsndials.com, pravdhan2022@gmail.com; URL Link: www.potsndials.com