



**Multi turn Wire Wound Potentiometers, (ø53mm)**

**Model: 2703, 3-Turn**

**Model: 5010, 10-Turn**

**Product:**



**Features:**

- High Wattage*
- Different Shaft Diameters and Lengths Available*
- Bush Mount Available & Servo Mount on Request*
- Slipping Clutch Available*
- Center Tap (4 Pins)*

**Technical Details:**

Parameters:	Model: 2703	Model: 5010
Power Rating	3Watt @ 40°C	5Watt @ 40°C
Resistance Range	See Chart Below	See Chart Below
Standard Tolerance	Std. ±5%, other on request	Std. ±5%, other on request
Linearity	Std. ±0.5%, ±0.25% other on request	Std. ±0.5%, ±0.25% other on request
Rotational Angle	1080° +10° / -0°	3600° +10° / -0°
Insulation Resistance	1000MΩ @ 500VDC	1000MΩ @ 500VDC
Max. Working Voltage	500VDC	1000VDC
Voltage Proof	3000VAC for 1 min. @ sea level	3000VAC for 1 min. @ sea level
End Resistance	2Ω or %Lin whichever is greater	2Ω or %Lin whichever is greater

**Resistance Value:**

Model No.:	Resistance Value
<b>2703</b>	1K, 2K5, 5K, 10K
<b>5010</b>	100, 200, 250, 500, 1K, 2K, 5K, 10K, 20K, 50K, 100K



**Multi turn Wire Wound Potentiometers, (ø53mm)**

**Model: 2703, 3-Turn**

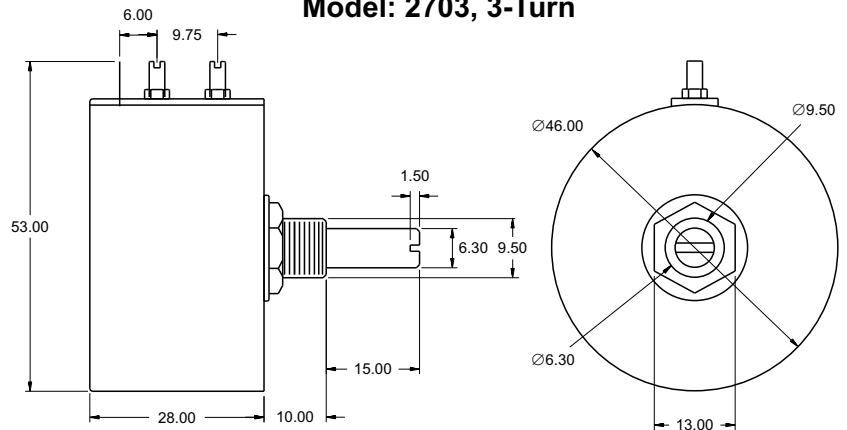
**Model: 5010, 10-Turn**

**Resolution Chart:**

Resistance Value	Model: 5010		Model: 2703	
	Resolution (%)	Ohms per Turn	Resolution (%)	Ohms per Turn
50	N.A	N.A	N.A	N.A
100	0.046	0.05	N.A	N.A
200	0.030	0.06	N.A	N.A
250	0.029	0.07	N.A	N.A
500	0.029	0.14	N.A	N.A
1K	0.019	0.19	0.040	0.40
2K	0.015	0.30	N.A	N.A
5K	0.010	0.51	0.029	1.45
10K	0.015	1.45	0.028	2.85
20K	0.010	1.98	N.A	N.A
50K	0.006	2.84	N.A	N.A
100K	0.004	4.45	N.A	N.A
200K	0.005	9.61	N.A	N.A

**Dimensional Drawings:**

**Model: 2703, 3-Turn**



**Model: 5010, 10-Turn**

