

*Hall effect Hand throttle, Model HETPS*

*Product Image*



*Applications*

- ◆ Hand throttle for 2 wheelers.
- ◆ Hand throttle for 3 wheelers.
- ◆ Hand throttle for speed boats.

*Features*

- Developing and manufacturing of hand throttle as per customer's need.
- The throttle works on Hall effect technology.
- Angle of Rotation: 65 degrees
- Auxiliary supply: +5 VDC (+/-10%)
- Output variants: 0.5-4.5 VDC (10% - 90% of supply).
- Bar end weight made of aluminum.
- Sturdy Design.
- Operating temperature: -20 °C to 60 °C.



**PRAVDHAN**

**SENSORS & CONTROLS PRIVATE LIMITED**



Compliant Product

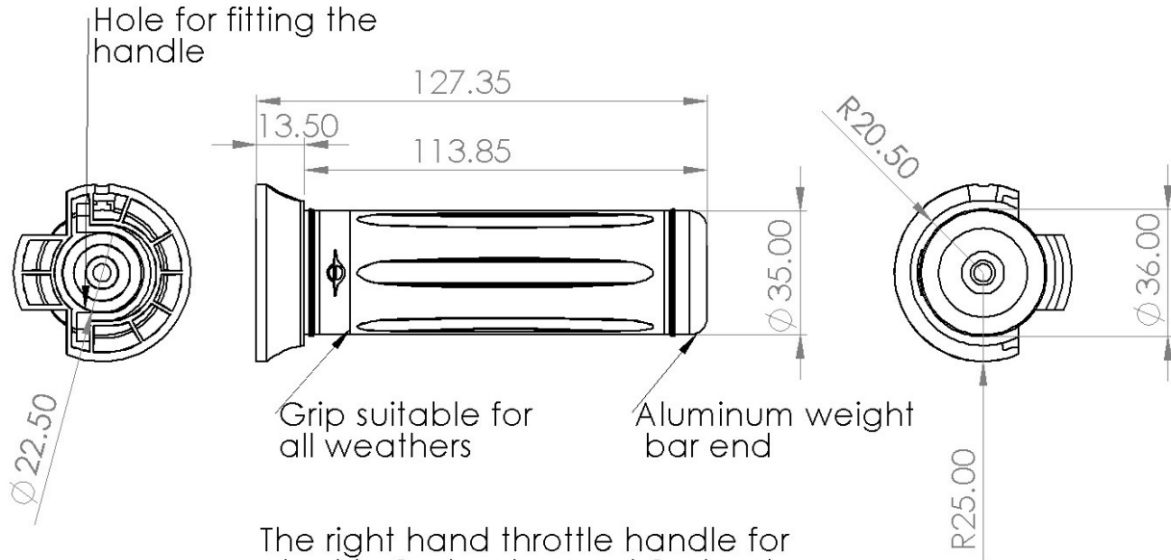


Certified Product

**Hall effect Hand throttle, Model HETPS**

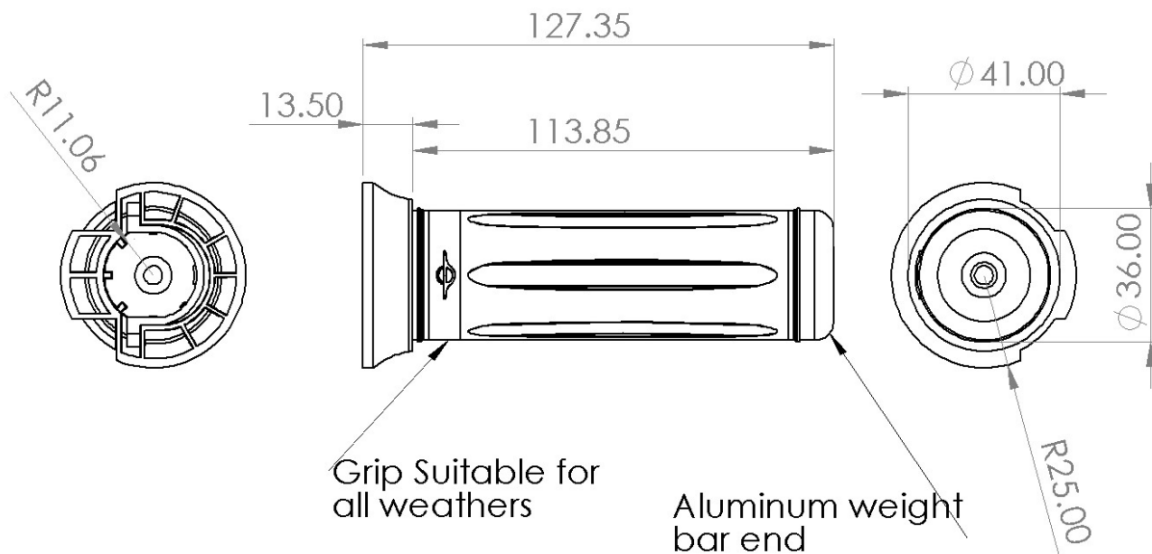
**Dimensions**

**Right hand side of the throttle**



The right hand throttle handle for electric 3 wheelers and 2 wheelers. Also suitable for speed boats.

**Left hand side of the throttle**



**All dimensions are in mm.**