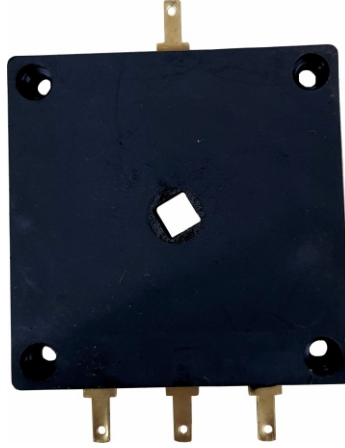


SQWW-50 CT, Square wire wound potentiometer with Centre tap

Product:



Applications:

- To be used in the Motorized Potentiometer.
- To be used in Joystick.
- For control applications.
- Can be stacked and multiple potentiometers can be used for indication and control.

Electrical Characteristics:

Standard Resistance Values	Refer the Resistance value chart
Power Rating	5W @ 40°C
Linearity	±0.25%
Insulation Resistance	1000MΩ at 500VDC
Max. Working Voltage	500VDC
Electrical Angle of Rotation	300° +10°/-0° or 330° +10°/-0° or 360°
Resistance Tolerance	Standard ±5%, other on request
End Resistance	2Ω or %Lin. whichever is Greater
Voltage Proof	3000VAC for 1 min. @ sea level
Recommended operating current of the wiper	Maximum of 100 mA

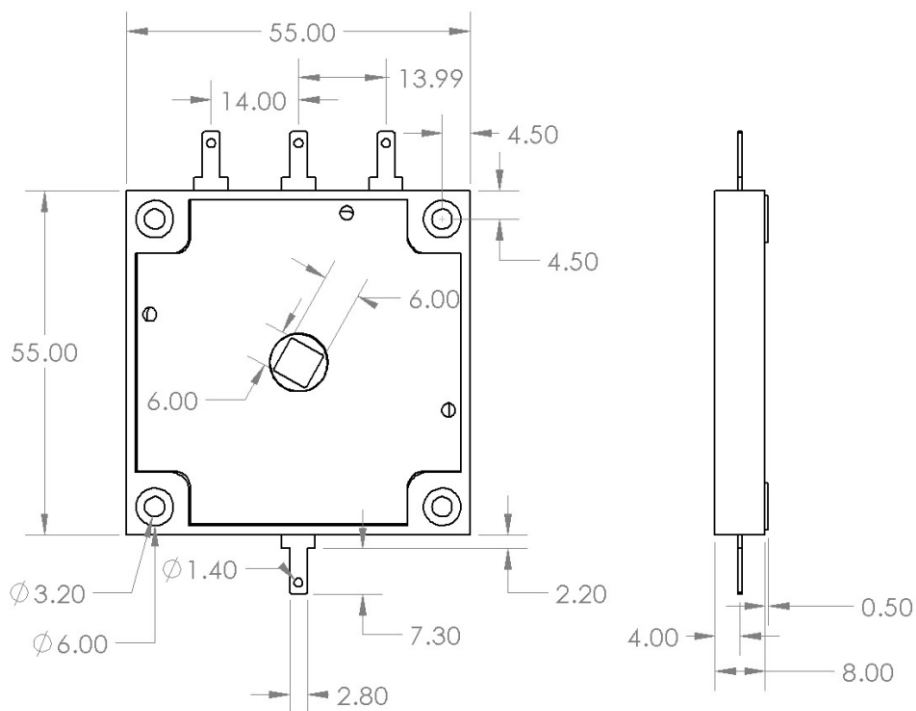
Resistance Values:

Standard Resistance values:	100, 130, 200, 500, 1K, 2K, 2K5, 5K, 10K, 20K, 100K (Other values on request)
------------------------------------	---

Mechanical Characteristics:

Service Life of Potentiometer	0.5 million shaft rotations
Operating Temperature Range	-30 to 100 degC
Housing Material	Glass filled Engineering plastic
Terminals, Inner contacts	Gold plated terminals and contacts
Protection type	IP 50

Dimensional Drawings:



All dimensions are in mm.